

## SensoIRIS MIO40 4 Inputs Module

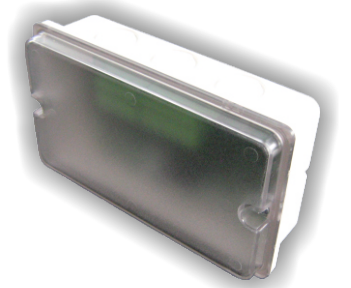
**EN54-18**  
**EN54-17:2005**

### Description

SensoIRIS MIO40 is an addressable module with 4 inputs for monitoring of analogue signals. The module is designed for application in addressable fire alarm systems, supporting TTE communication protocol and has built-in isolator module.

SensoIRIS MIO40 is powered on from the fire panel and can be controlled via the communication protocol.

The module is mounted in a separate small plastic box suitable for wall mounting, with transparent cover for visual inspection.

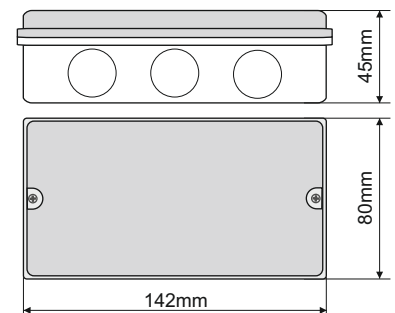


### Technical and Environmental Specifications

Operating Voltage Range . . . . .	15 - 32VDC
Consumption, stand-by mode . . . . .	300µA@27VDC
Nom. current consumption . . . . .	330µA@27VDC
Current consumption with 1 LED on . . . . .	4mA
Current consumption with 2 LEDs on . . . . .	7mA
Wire Gauge for terminals . . . . .	0.4mm <sup>2</sup> - 2.0mm <sup>2</sup>
Operating temperature . . . . .	-10°C to +60°C
Relative humidity resistance . . . . .	(93 ± 3)% @ 40°C
Protection . . . . .	IP40
Weight . . . . .	~230g
Material (plastic), color . . . . .	ABS, Gray
Dimensions . . . . .	142 x 80 x 45mm

CE 15  
1293  
DoP No: 042

**1293-CPR-0474**



### Packing Information

- **Single packing** - 1 unit SensoIRIS MIO40, packed in ESD protected envelope.
- **Carton packing box** - 48 units SensoIRIS MIO40, dimensions 496 x 305 x 206 mm.

### Compatible Product Range

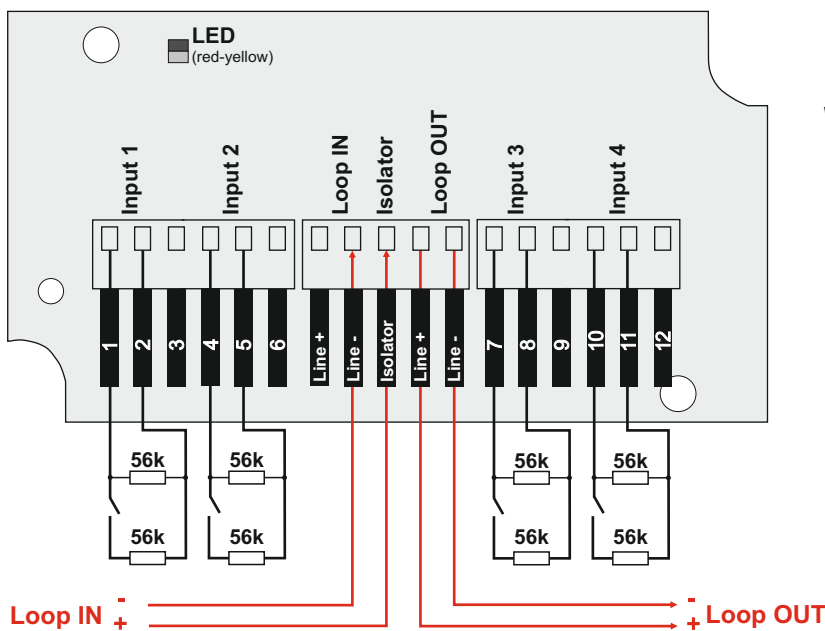
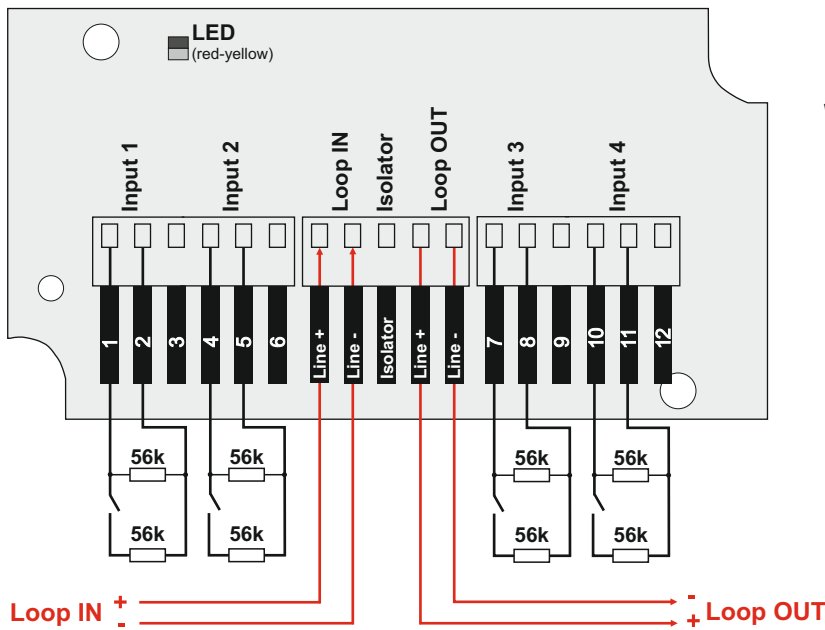
- **IRIS** - Addressable Fire Panel, up to 4 loops
- **SIMPO** - Addressable Fire Panel, up to 2 loops
- **IRIS TTE Loop** - Loop Expander for one loop
- **SIMPO TTE Loop** - Loop Expander for one loop
- **SensoIRIS Programmer** - Address Programming Tool

### Contact Information

## SensoIRIS MIO40 4 Inputs Module

EN54-18  
EN54-17:2005

### Connection Diagrams



### Contact Information